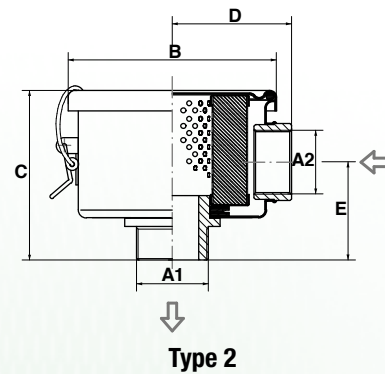
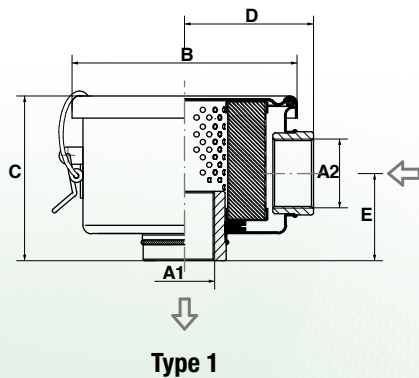




Air filter for vacuum applications

DRY AIR FILTERS FPV SERIES

This series of filters is particularly indicated for absolute vacuum conditions. Meticulous controls, performed in the Control laboratory, guarantee the high quality of the product ensuring a perfect fit and prolonged use. The special painting treatment, guarantees the integrity of the housing over a long period of time. The filter element made of high quality treated paper, and a filtration degree of 5-7 microns, assures maximum protection. Other available filter elements: polyester or stainless steel.



VACUUM FILTER DIMENSION TABLE

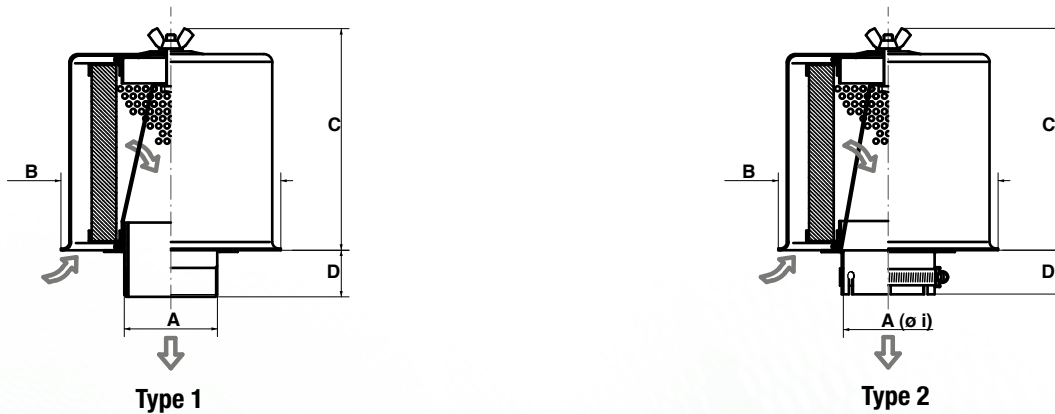
Model* with paper cartridge	Tipo	Air Flow m ³ /h**	Dimensions mm						Spare cartridge		
			A1	A2	B	C	D	E	Paper	Polyester	Stainless Steel
FPV.02753	1	25	3/8" BSPP	3/8" BSPP	82	80	49	43	MF9.02655	MF9.02655P	AS3.05321
FPV.02754	1	45	1/2" BSPP	1/2" BSPP	107.5	93	67.5	42	MF9.02656	MF9.02656P	AS3.03644
FPV.02773	2	45	1/2" BSPT	1/2" BSPP	107.5	112	67.5	42	MF9.02656	MF9.02656P	AS3.03644
FPV.02755	1	50	3/4" BSPP	3/4" BSPP	107.5	93	67.5	42	MF9.02656	MF9.02656P	AS3.03644
FPV.02762	1	75	3/4" BSPP	3/4" BSPP	133	95	80	46	MF9.02658	MF9.02658P	AS3.03645
FPV.02764	1	90	1" BSPP	1" BSPP	133	95	80	59	MF9.02658	MF9.02658P	AS3.03645
FPV.02756	1	110	1 1/4" BSPP	1 1/4" BSPP	133	97.5	76	51.5	MF9.02658	MF9.02658P	AS3.03645
FPV.02774	2	110	1 1/4" BSPT	1 1/4" BSPP	133	115	76	69	MF9.02658	MF9.02658P	AS3.03645
FPV.02759	1	150	1 1/4" BSPP	1 1/4" BSPP	176	161	100	85	MF9.02657	MF9.02657P	AS3.03689
FPV.02775	2	150	1 1/4" BSPT	1 1/4" BSPP	176	177	100	101	MF9.02657	MF9.02657P	AS3.03689
FPV.02760	1	200	1 1/2" BSPP	1 1/2" BSPP	176	196	98	110	MF9.02679	MF9.02679P	AS3.03646
FPV.02761	1	320	2" BSPP	2" BSPP	199	256	113.5	129	MF9.02659	MF9.05306	AS3.03647
FPV.02776	2	320	2" BSPT	2" BSPP	199	287	113.5	156.5	MF9.02659	MF9.05306	AS3.03647
FPV.02757	1	340	2 1/2" BSPP	2 1/2" BSPP	199	258.5	113.5	129	MF9.02659	MF9.02659P	AS3.03647
FPV.02769	1	360	3" BSPP	3" BSPP	199	258.5	113.5	129	MF9.02659	MF9.02659P	AS3.03647
FPV.02770	1	750	4" BSPP	4" BSPP	308	336	166	202	MF9.03859	MF9.03859P	AS3.05369

* POLYESTER CARTRIDGE: ADD "P" TO CODE'S END - ST. STEEL CARTRIDGE: ADD "I" TO CODE'S END

** CAPACITY MEASURED WITH 200 mm H₂O PRESSURE LOSS WITH PAPER CARTRIDGE

DRY AIR FILTERS FAS SERIES

This series of filters is widely used in motors for: Machine Tools, Earth Mov-ers, Compressors and Combustion Engines. They are available with Jubilee clip, Metric or Gas threaded coupling. Filters with special connections can be supplied upon request. The filter element made of high quality treated paper, and a filtration degree of 5-7 microns, assures maximum protection. Other available filter elements: velvet mesh, polyester or stainless steel.



TYPE 1: THREADED CONNECTION

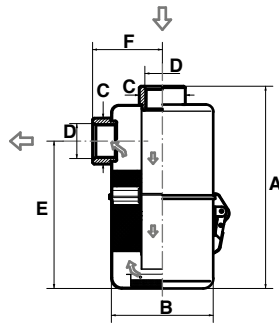
Model* with paper cartridge	Port.-Cap. m ³ /h**		Dimensions mm				Spare cartridge			
	Paper	Vel. mesh	A	B	C	D	Paper	Velvet mesh	Polyester	Stainless Steel
FAS.04499	10	18	1/4" BSPP	53	42	18	MF9.04701	AS2.03666	MF9.04701P	AS3.05370
FAS.04500	10	18	M12X1.5	53	42	18	MF9.04701	AS2.03666	MF9.04701P	AS3.05370
FAS.04501	10	18	3/8" BSPP	53	42	30	MF9.04701	AS2.03666	MF9.04701P	AS3.05370
FAS.04502	25	40	1/2" BSPP	79	60	30	MF9.04702	AS2.03662	MF9.04702P	AS3.05371
FAS.04503	45	68	3/4" BSPP	104	90	30	MF9.04703	AS2.03681	MF9.04703P	AS3.03644
FAS.04520	45	68	M26X1.5	104	90	30	MF9.04703	AS2.03681	MF9.04703P	AS3.03644
FAS.04504	80	140	1" BSPP	130	100	40	MF9.02658	AS2.03682	MF9.02658P	AS3.03645
FAS.04519	125	170	1 1/4" BSPP	130	100	40	MF9.02658	AS2.03682	MF9.02658P	AS3.03645
FAS.04505	150	200	1 1/2" BSPP	130	130	45	MF9.04705	AS2.03683	MF9.04705P	AS3.03712
FAS.04506	200	320	2" BSPP	130	130	60	MF9.04705	AS2.03683	MF9.04705P	AS3.03712
FAS.04507	300	420	2" BSPP	172	160	50	MF9.02657	AS2.03685	MF9.02657P	AS3.03689
FAS.04508	500	650	2 1/2" BSPP	204	160	60	MF9.04706	AS2.03686	MF9.04706P	AS3.05372
FAS.04509	900	1.200	3" BSPP	290	190	60	MF9.04707	AS2.03687	MF9.04707P	MF9.04707I
FAS.04510	1.500	2.300	4" BSPP	336	240	60	MF9.04708	AS2.03688	MF9.04708P	AS3.05373

TYPE 2: CLAMP CONNECTION

FAS.04511	45	68	20	104	90	20	MF9.04703	AS2.03681	MF9.04703P	AS3.03644
FAS.04512	120	140	40	130	100	20	MF9.02658	AS2.03682	MF9.02658P	AS3.03645
FAS.04513	200	200	52	130	134	23	MF9.04705	AS2.03683	MF9.04705P	AS3.03712
FAS.04514	280	420	60	176	150	20	MF9.02657	AS2.03685	MF9.02657P	AS3.03689
FAS.04515	500	420	80	204	155	25	MF9.04706	AS2.03686	MF9.04706P	AS3.05372
FAS.04516	520	650	90	204	155	25	MF9.04706	AS2.03686	MF9.04706P	AS3.05372
FAS.04517	900	1.200	100	290	185	25	MF9.04707	AS2.03687	MF9.04707P	MF9.04707I
FAS.04518	1.500	2.300	140	336	240	25	MF9.04708	AS2.03688	MF9.04708P	AS3.05373

* VELVET MESH CARTRIDGE: ADD "X" TO CODE'S END - POLYESTER CARTRIDGE: ADD "P" TO CODE'S END - ST. STEEL CARTRIDGE: ADD "I" TO CODE'S END

** CAPACITY MEASURED WITH 200 mm H₂O PRESSURE LOSS



OIL BATH AIR FILTERS

FBN oil bath air filters, are designed for prolonged use in particularly dusty environments. Excellent degree of filtration, capacity for prolonged use, minimum maintenance and the specially painting treatment finish guarantee the filters integrity over a long period of time, enabling performance in any external environment and type of mechanical work.

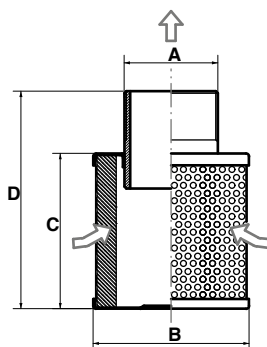
Model	Dimensions mm						Capacity M ³ /H*
	A	B	C	D	E	F	
FA3.02045	212	106	40	1/2" BSPP	162	100	90
FA5.02046	210	130	50	1" BSPP	156	105	120
FA6.02047	296	162	60	1"1/2 BSPP	198	128	250
FA7.02095	340	185	67	2" BSPP	226	142	350

*CAPACITY MEASURED WITH 200 mm H₂O PRESSURE LOSS

Spare Parts	FA3.02045	FA5.02046	FA6.02047	FA7.02095
Filtering element	MF6.01014	MF6.01007	MF6.01006	MF6.01017
Oil sump	C03.01703	C03.01705	C03.01625	C03.01626

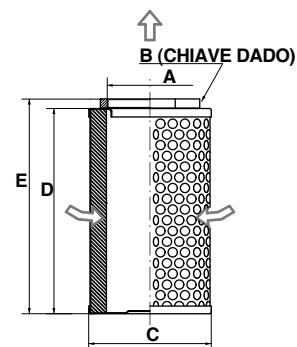
FILTERS MADE OF WIRE MESH

The wire mesh filters are made entirely of galvanised metal. The filtering element consists in a woven fabric made of galvanised iron. The filters are equipped with male or female threaded gas fittings. On request, we can provide filters with special dimensions and fittings.



WITH MALE THREADED CONNECTION

Model	Dimensions mm			
	A	B	C	D
FR5.04207	1/4" BSPP	50	51	65
FR8.03579	1" BSPP	70	62	82
FR8.03577	1"1/4 BSPP	70	62	112
FR8.03569	1"1/2 BSPP	80	81	112
FR8.03567	2" BSPP	89	134	164



WITH FEMALE THREADED CONNECTION

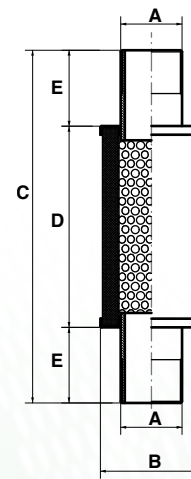
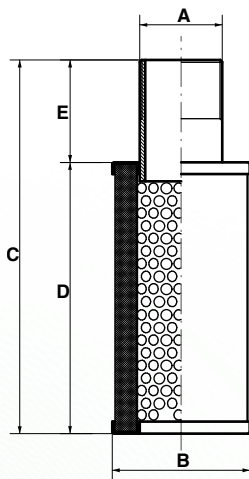
Model	Dimensions mm				
	A	B	C	D	E
FR8.01756	1" BSPP	46	60	62	71
FR8.01757	1"1/4 BSPP	50	60	62	68
FR8.01319	1"1/2 BSPP	60	80	81	91
FR8.01758	2" BSPP	65	80	81	87
FR8.01767	2" BSPP	65	80	134	140

DIMENSION TABLE OF AIR CARTRIDGES FOR VACUUM SYSTEMS

Code F.B.N.	External Diameter mm	Diameter mm	Height mm	Code RIETSCHLE	Code BECKER	Code BUSCH	Code MANN
AS1.03797	30	10/5	30	730500			C31
AS1.03766	30	10/5	40	730501	909516		C31/1
AS1.03765	30	10/5	63	730502	909531		C32
AS1.05374	29,5	10/5	60				C32/1
AS1.05375	30	10/6	87	513457			C35
AS1.03633	37	13/0	40		909518		C44
AS1.05324	37	12.5/5	30	730503	909538		C42/2
AS1.05325	37	12.5/5	40	730504	909539		C42/1
AS1.05323	37	13/0	30				C43/1
AS1.03764	37	13/5.5	63	730505	909537		C43
MF9.04701	40	25/25	30				
AS1.05376	40	13/5	91	513458			C48
AS1.05377	45	21/9	70				900074
AS1.03723	50	31/0	34				4500352126
MF9.04702	50	23/23	44				
MF9.02655	50	23/0	59				
AS1.05378	50	31/5	143	515411	909533		C69/1
AS1.03798	50	31/5	160	515310		532033	C610/2
AS1.03762	60	18/5	40	730506	909536		C64/1
AS1.03637	60	18/0	40		909519	532031	C64/3
AS1.03763	60	18/5	52	730524			C66/1
AS1.03761	60	18/5	64	730507	909535		C66
AS1.03640	64	38/0	45		909521		C76/2
AS1.03634	64	38/0	71		909505		C75/2
MF9.02656	64	38/0	69	730542	84040105	532005	C75
MF9.04703	64	38/38	69	730518			C75/4
AS1.05309	64	38/0	70	730511			C711/1
AS1.05343	64	24/5	74	730508	909532		C79/1
AS1.03639	64	38/7.5	100				C712
AS1.05322	64	24/10	120	730528	909904		C711
AS1.03636	64	38/10	125		909510		C713
AS1.03643	64	38/10	173		909514		C718
AS1.05326	69	26/26	26	730534	909508		C74
AS1.05379	75	38/0	59				C78
AS1.05380	82	60/60	76				C914
AS1.03638	82	60/0	74	730533	909506		C912
AS1.05381	95	43/9	173				C1043/1
AS1.05382	90	44/44	144	730512			C1049
MF9.02658	98	60/60	71	730514	84040107	532002	C1112
AS1.03635	98	60/0	75		909507		C1112/2
MF9.04705	98	60/60	103	730080	84040209		C1132
MF9.02657	126	65/65	126	730519	84040207	532003	C1337
MF9.02679	126	65/65	156			5200000157	
MF9.04706	152	88/88	125		84040109		C1574
MF9.02659	152	88/88	220	730517	84040110	532004	C15124/1
MF9.04707	201	146/146	157				
MF9.03859	234	178/178	276				
AT1.01836	280	117/10.5	381	730554	84040312		C23440
MF9.04708	255	192/192	195	730516		532006	C26240
AT1.06050	232	163/163	164	730071			C24165/3

SILENCERS

The FBN silencers, with single threaded or double threaded connection, are particularly indicated for installation in blowers and vacuum generators, whether for aspiration or compression. External body in steel, internal noise-absorbing elements of partially closed-cell polyurethane resin. For special applications heat treatments can be carried out on the metal parts. Silencers with special connections can be supplied by request.



SINGLE THREADED CONNECTION

Model	Dimensions mm				
	A	B	C	D	E
SFS.02710	1/2" BSPP	50	115	100	15
SFS.02711	3/4" BSPP	50	120	100	20
SFS.02709	1" BSPP	70	158	138	20
SFS.01736	1"1/4 BSPP	70	190	138	52
SFS.01734	1"1/2" BSPP	80	200	168	32
SFS.01737	2" BSPP	89	230	198	32
SFS.02712	2"1/2 BSPP	100	234	198	36
SFS.02705	3" BSPP	152	435	350	85
SFS.02719	4" BSPP	152	440	400	40

DOUBLE THREADED CONNECTION

Model	Dimensions mm				
	A	B	C	D	E
SFS.02713	1/2" BSPP	50	130	100	15
SFS.02714	3/4" BSPP	50	140	100	20
SFS.02715	1" BSPP	70	174	137	18.5
SFS.02700	1"1/4 BSPP	70	242	138	52
SFS.01745	1"1/2" BSPP	80	232	168	32
SFS.02701	2" BSPP	89	262	198	32
SFS.02702	2"1/2 BSPP	100	270	198	36
SFS.02716	3" BSPP	152	430	350	40
SFS.02703	4" BSPP	152	480	400	40

The data in this catalogue is indicative and non-binding.

