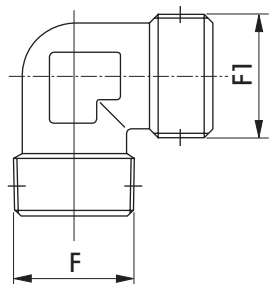


## Raccordi aria stampati





## RL100

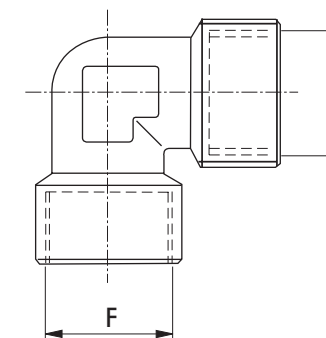
**RACCORDO A L MM**



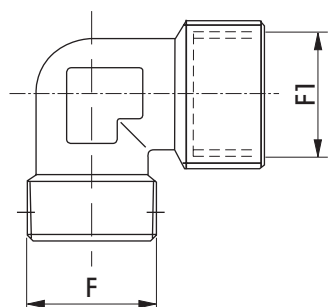
| Codice  | F   | F1  |
|---------|-----|-----|
| RL10001 | 1/8 | 1/8 |
| RL10002 | 1/8 | 1/4 |
| RL10003 | 1/4 | 1/4 |
| RL10004 | 3/8 | 3/8 |
| RL10005 | 1/2 | 1/2 |
| RL10006 | 3/4 | 3/4 |
| RL10007 | 1"  | 1"  |

## RL300

**RACCORDO A L FF**



| Codice  | F   | F1 |
|---------|-----|----|
| RL30001 | 1/8 |    |
| RL30002 | 1/4 |    |
| RL30003 | 3/8 |    |
| RL30004 | 1/2 |    |
| RL30005 | 3/4 |    |
| RL30006 | 1"  |    |



## RL200

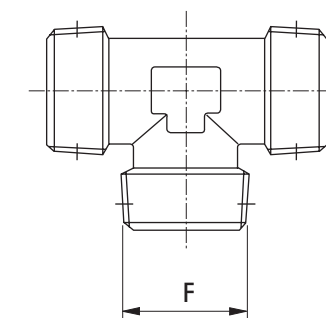
**RACCORDO A L MF**



| Codice  | F   | F1  |
|---------|-----|-----|
| RL20001 | 1/8 | 1/8 |
| RL20002 | 1/8 | 1/4 |
| RL20003 | 1/4 | 1/4 |
| RL20004 | 3/8 | 3/8 |
| RL20005 | 1/2 | 1/2 |
| RL20006 | 3/4 | 3/4 |
| RL20007 | 1"  | 1"  |

## RT100

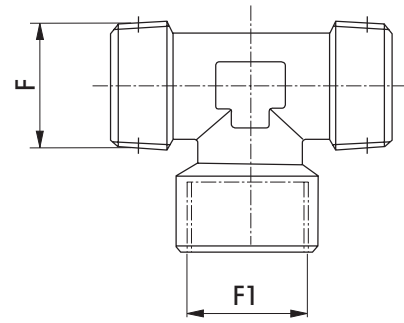
**RACCORDO A T MMM**



| Codice  | F   | F1 |
|---------|-----|----|
| RT10001 | 1/8 |    |
| RT10002 | 1/4 |    |
| RT10003 | 3/8 |    |
| RT10004 | 1/2 |    |
| RT10005 | 3/4 |    |
| RT10006 | 1"  |    |

## RT200

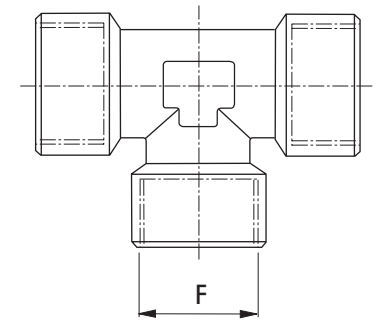
**RACCORDO A T MFM**



| Codice  | F   | F1  |
|---------|-----|-----|
| RT20001 | 1/8 | 1/8 |
| RT20002 | 1/4 | 1/4 |
| RT20003 | 3/8 | 3/8 |
| RT20004 | 1/2 | 1/2 |
| RT20005 | 3/4 | 3/4 |
| RT20006 | 1"  | 1"  |

## RT400

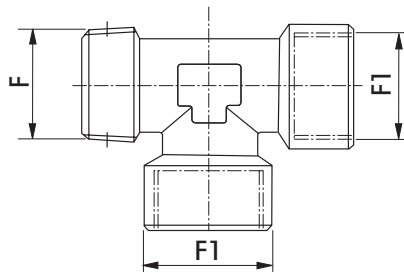
**RACCORDO A T FFF**



| Codice  | F   |  |
|---------|-----|--|
| RT40001 | 1/8 |  |
| RT40002 | 1/4 |  |
| RT40003 | 3/8 |  |
| RT40004 | 1/2 |  |
| RT40005 | 3/4 |  |
| RT40006 | 1"  |  |

## RT300

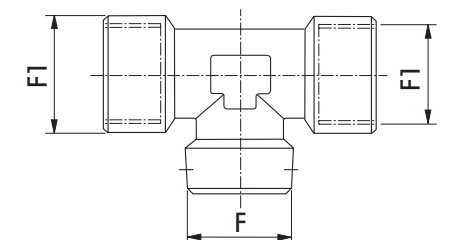
**RACCORDO A T MFF**



| Codice  | F   | F1  |
|---------|-----|-----|
| RT30001 | 1/8 | 1/8 |
| RT30002 | 1/4 | 1/4 |
| RT30003 | 3/8 | 3/8 |
| RT30004 | 1/2 | 1/2 |
| RT30005 | 3/4 | 3/4 |
| RT30006 | 1"  | 1"  |

## RT500

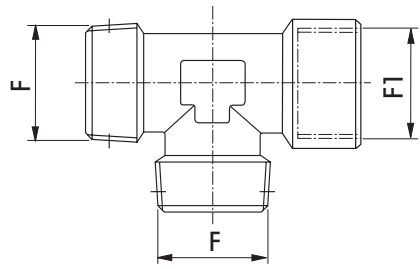
**RACCORDO A T FMF**



| Codice  | F   | F1  |
|---------|-----|-----|
| RT50001 | 1/8 | 1/8 |
| RT50002 | 1/4 | 1/4 |
| RT50003 | 3/8 | 3/8 |
| RT50004 | 1/2 | 1/2 |
| RT50005 | 3/4 | 3/4 |
| RT50006 | 1"  | 1"  |

## RT600

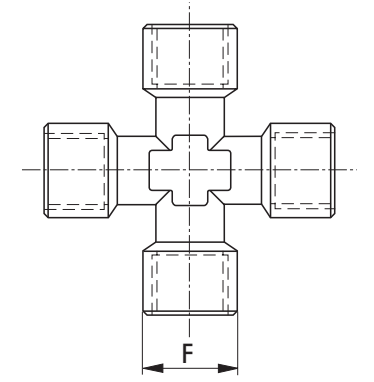
**RACCORDO A T MMF**



| Codice  | F   | F1  |
|---------|-----|-----|
| RT60001 | 1/8 | 1/8 |
| RT60002 | 1/4 | 1/4 |
| RT60003 | 3/8 | 3/8 |
| RT60004 | 1/2 | 1/2 |
| RT60005 | 3/4 | 3/4 |
| RT60006 | 1"  | 1"  |

## RC200

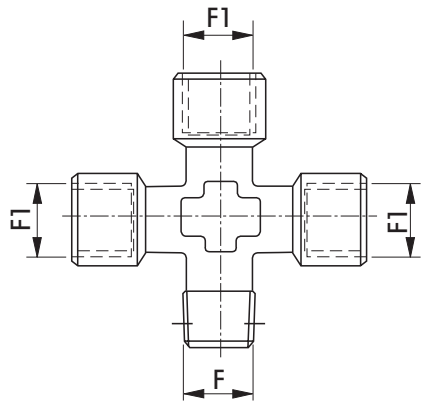
**RACCORDO A CROCE FFFF**



| Codice  | F   |  |
|---------|-----|--|
| RC20001 | 1/8 |  |
| RC20002 | 1/4 |  |
| RC20003 | 3/8 |  |
| RC20004 | 1/2 |  |

## RC100

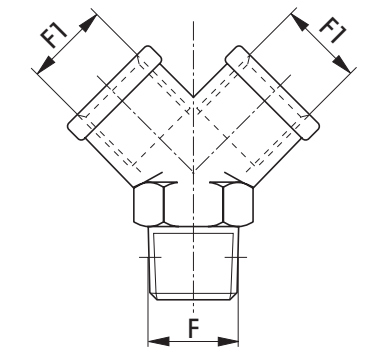
**RACCORDO A CROCE MFFF**



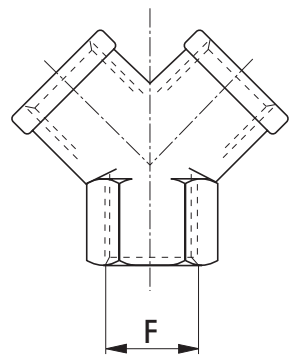
| Codice  | F   | F1  |
|---------|-----|-----|
| RC10001 | 1/8 | 1/8 |
| RC10002 | 1/4 | 1/4 |
| RC10003 | 3/8 | 3/8 |
| RC10004 | 1/2 | 1/2 |

## RV100

**RACCORDO A Y FMF**



| Codice  | F   | F1  |
|---------|-----|-----|
| RV10001 | 1/8 | 1/8 |
| RV10002 | 1/4 | 1/4 |
| RV10003 | 3/8 | 3/8 |
| RV10004 | 1/2 | 1/2 |

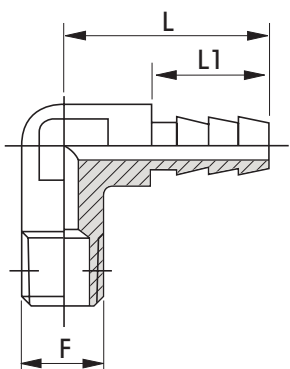


## RV200

**RACCORDO A Y FFF**



| Codice  | F   |  |
|---------|-----|--|
| RV20001 | 1/8 |  |
| RV20002 | 1/4 |  |
| RV20003 | 3/8 |  |
| RV20004 | 1/2 |  |



## PRM200

**PORTAGOMMA MASCHIO A L**



| Codice   | F   | D | L    | L1   |
|----------|-----|---|------|------|
| PRM20001 | 1/8 | 6 | 22,5 | 14   |
| PRM20002 | 1/8 | 6 | 23,5 | 14   |
| PRM20003 | 1/8 | 6 | 38   | 21,5 |
| PRM20004 | 1/8 | 7 | 22,5 | 14   |
| PRM20005 | 1/8 | 7 | 32,5 | 14   |
| PRM20006 | 1/8 | 7 | 38   | 21,5 |
| PRM20007 | 1/4 | 6 | 23   | 14   |
| PRM20008 | 1/4 | 6 | 32,5 | 14   |
| PRM20009 | 1/4 | 7 | 23   | 14   |
| PRM20010 | 1/4 | 7 | 32,5 | 14   |