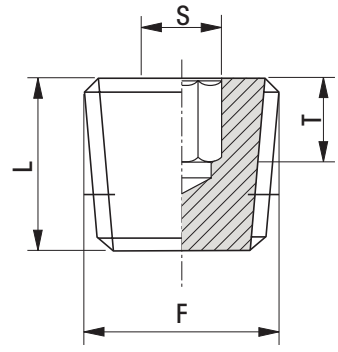




PLUGS



TD906



CONICAL PLUG WITH EMBED HEXAGON

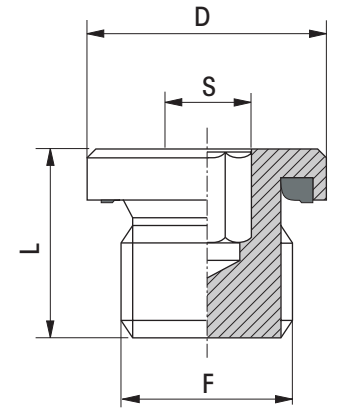


Codice/Code	F	S	T	L
TD906003	1/8 GAS	5	4	8
TD906004	1/4 GAS	7	5	10
TD906005	3/8 GAS	8	5	10
TD906006	1/2 GAS	10	5	10
TD906007	3/4 GAS	12	6	12
TD906016	1" GAS	17	6	12
TD906008	M 8x1	4	4	8
TD906009	M 10x1	5	4	8
TD906010	M 12x1,5	6	5	10
TD906011	M 14x1,5	7	5	10
TD906012	M 16x1,5	8	5	10
TD906013	M 18x1,5	8	5	10
TD906014	M 20x1,5	10	5	10
TD906015	M 22x1,5	10	5	10
TD906017	1" 1/4	22	11,5	18

TDG

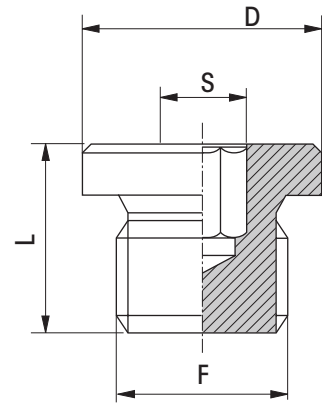


CYLINDRICAL PLUG WITH EMBED HEXAGON WITH RUBBER WASHER



Codice/Code	F	S	D	L
TDG001	1/8 GAS	5	14	12
TDG002	1/4 GAS	6	19	17
TDG003	3/8 GAS	8	22	17
TDG004	1/2 GAS	10	27	19
TDG005	3/4 GAS	12	32	21
TDG006	1" GAS	17	40	22,5
TDG010	1"1/4 GAS	22	50	22,5
TDG008	M 10x1	5	14	12
TDG007	M 12x1,5	6	17	17
TDG014	M 14x1,5	6	19	17
TDG009	M 16x1,5	8	22	17
TDG013	M 18x1,5	8	24	17
TDG011	M 20x1,5	10	26	19

TD908



CYLINDRICAL PLUG WITH EMBED HEXAGON

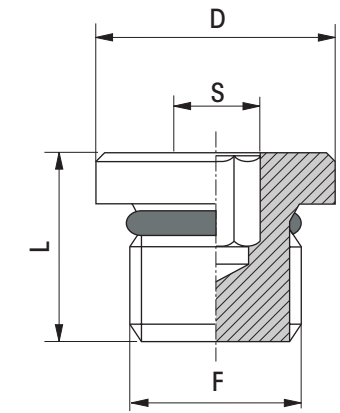


Codice/Code	F	S	D	L
TD908001	1/8 GAS	5	14	11
TD908003	1/4 GAS	6	18	15
TD908004	3/8 GAS	8	22	15
TD908005	1/2 GAS	10	26	18
TD908006	3/4 GAS	12	32	20
TD908007	1" GAS	17	40	21
TD908018	1"1/4 GAS			
TD908010	M 8x1	4	12	11
TD908002	M 10x1	5	14	11
TD908011	M 12x1,5	6	17	15
TD908009	M 14x1,5	6	19	15
TD908012	M 16x1,5	8	21	15
TD908013	M 18x1,5	8	23	16
TD908014	M 20x1,5	10	25	18
TD908015	M 22x1,5	10	27	18
TD908016	M 24 x1,5	12	29	18
TD908021	1" 1/2	24	58	21

TDSAE



CYLINDRICAL PLUG WITH EMBED HEXAGON SAE THREAD WITH O-RING RUBBER



Codice/Code	F	S	D	L
TDSAE001	5/16 - 20 UNF	3,2	11,2	9,7
TDSAE003	7/16 - 20 UNF	4,8	14	11,5
TDSAE004	1/2 - 20 UNF	5	16	12
TDSAE005	9/16 - 18 UNF	6,3	17,5	12,5
TDSAE006	3/4 - 16 UNF	8	22	14,5
TDSAE007	7/8 - 14 UNF	9,5	25,5	16,5
TDSAE008	1"1/16 - 12 UNF	14,4	32	19,5
TDSAE009	1"3/16 - 12 UNF	14,4	35	19
TDSAE010	1"5/16 - 12 UNF	16	38	19
TDSAE011	1"5/8 - 12 UNF	19	48	19