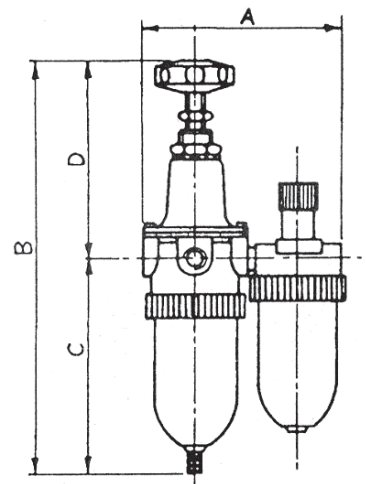


## FRL SET - TIMELESS SERIES

The filter regulator stands in for the filter and regulator and it is connected with a nipple with the lubricator.



Model	Size	Bowl	Drain	Code
FR+L4 SSM FR+L4 S	1/4"	polycarbonate	semiautomatic	42100713
		polycarbonate	semiautomatic	42100743
FR+L4 TM SSM FR+L4 TM S	1/4"	metallic	semiautomatic	42100773
		metallic	semiautomatic	42100803
FR+L3 SSM FR+L3 S	3/8"	polycarbonate	semiautomatic	42100913
		polycarbonate	semiautomatic	42100943
FR+L3 TM SSM FR+L3 TM S	3/8"	metallic	semiautomatic	42100973
		metallic	semiautomatic	42101003
FR+L2 SSM FR+L2 S	1/2"	polycarbonate	semiautomatic	42101113
		polycarbonate	semiautomatic	42101143
FR+L2 TM SSM FR+L2 TM S	1/2"	metallic	semiautomatic	42101173
		metallic	semiautomatic	42101203



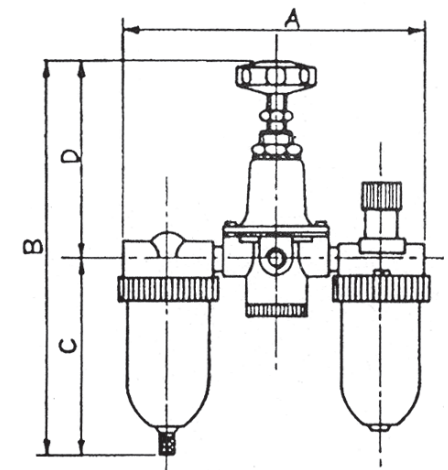
Size	A mm	B mm	C mm	D mm	Weight g
1/4"	146	300	150	150	1350/1500 TM
3/8"	146	300	150	150	1350/1500 TM
1/2"	173	325	160	165	1350/1500 TM

## FR+L SET - TIMELESS SERIES

The **FILTER REGULATOR LUBRICATOR** may be used for individual installation or connected together with the nipples. The installation can be either panel or bracket mounted.



Model	Size	Bowl	Drain	Code
FRL4 SSM FRL4 S	1/4"	polycarbonate	semiautomatic	42100213
		polycarbonate	semiautomatic	42100243
FRL4 TM SSM FRL4 TM S	1/4"	metallic	semiautomatic	42100273
		metallic	semiautomatic	42100303
FRL3 SSM FRL3 S	3/8"	polycarbonate	semiautomatic	42100413
		polycarbonate	semiautomatic	42100443
FRL3 TM SSM FRL3 TM S	3/8"	metallic	semiautomatic	42100473
		metallic	semiautomatic	42100503
FRL2 SSM FRL2 S	1/2"	polycarbonate	semiautomatic	42100563
		polycarbonate	semiautomatic	42100593
FRL2 TM SSM FRL2 TM S	1/2"	metallic	semiautomatic	42100623
		metallic	semiautomatic	42100653



Size	A mm	B mm	C mm	D mm	Weight g
1/4"	218	295	137	158	2300/2600 TM
3/8"	218	295	137	158	2300/2600 TM
1/2"	250	320	156	164	2900/3150 TM